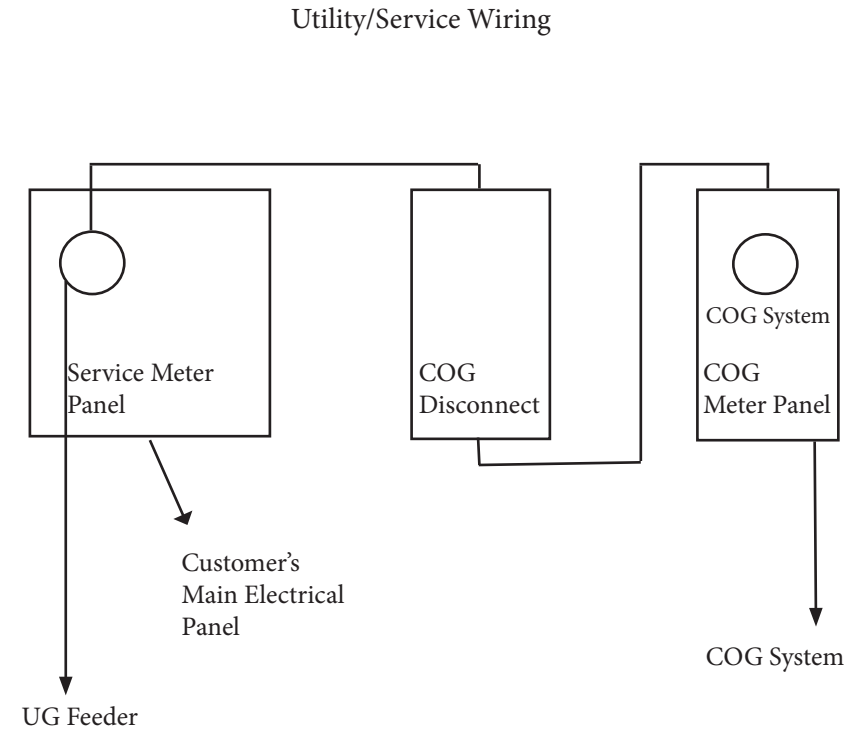
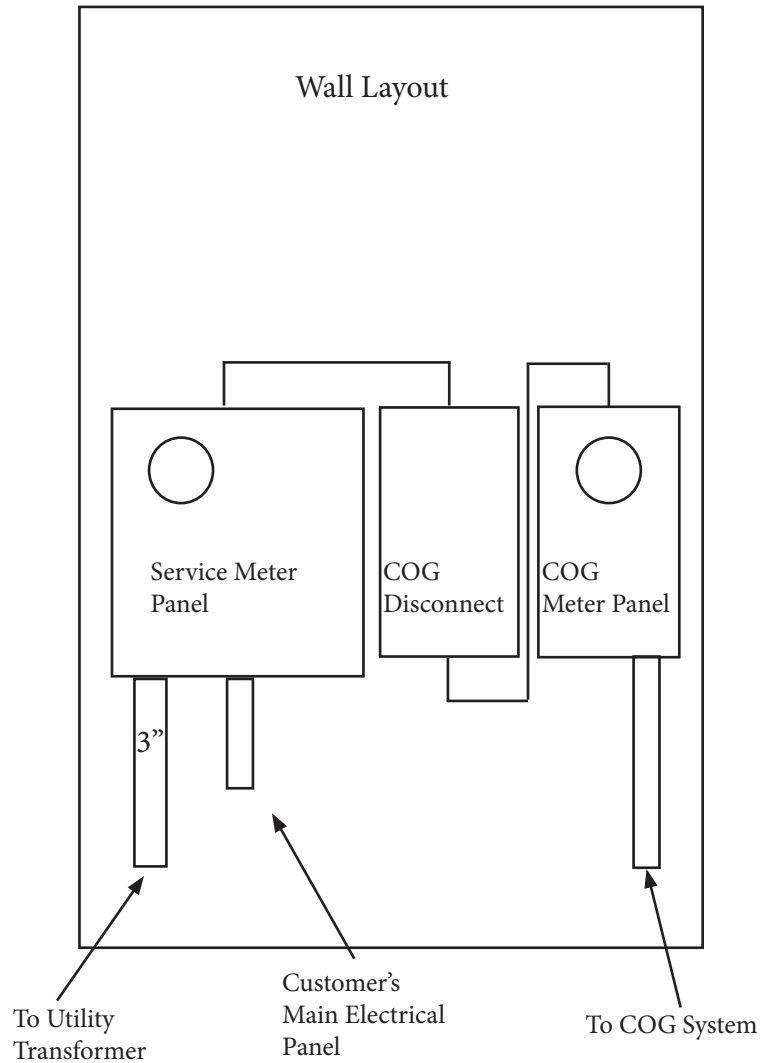


Visual Interconnection Requirements for Customer Owned Generation (COG) with Underground Service



Notes:

- 1) All wiring must meet current NEC code
- 2) All work must be inspected by local code enforcement.
- 3) Underground feeder to utility transformer supplied by utility.
- 4) All devices, wire (except underground feeder) and hardware supplied by customer.